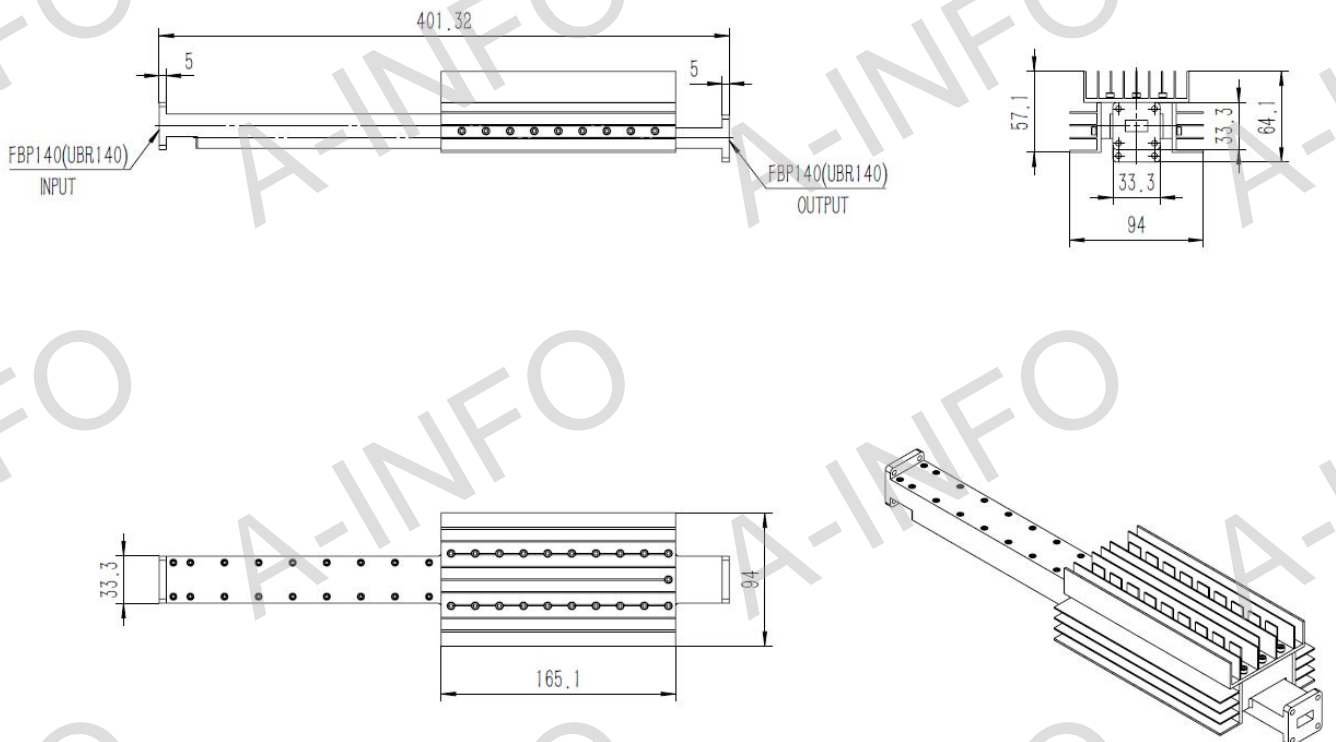


Technical Specification

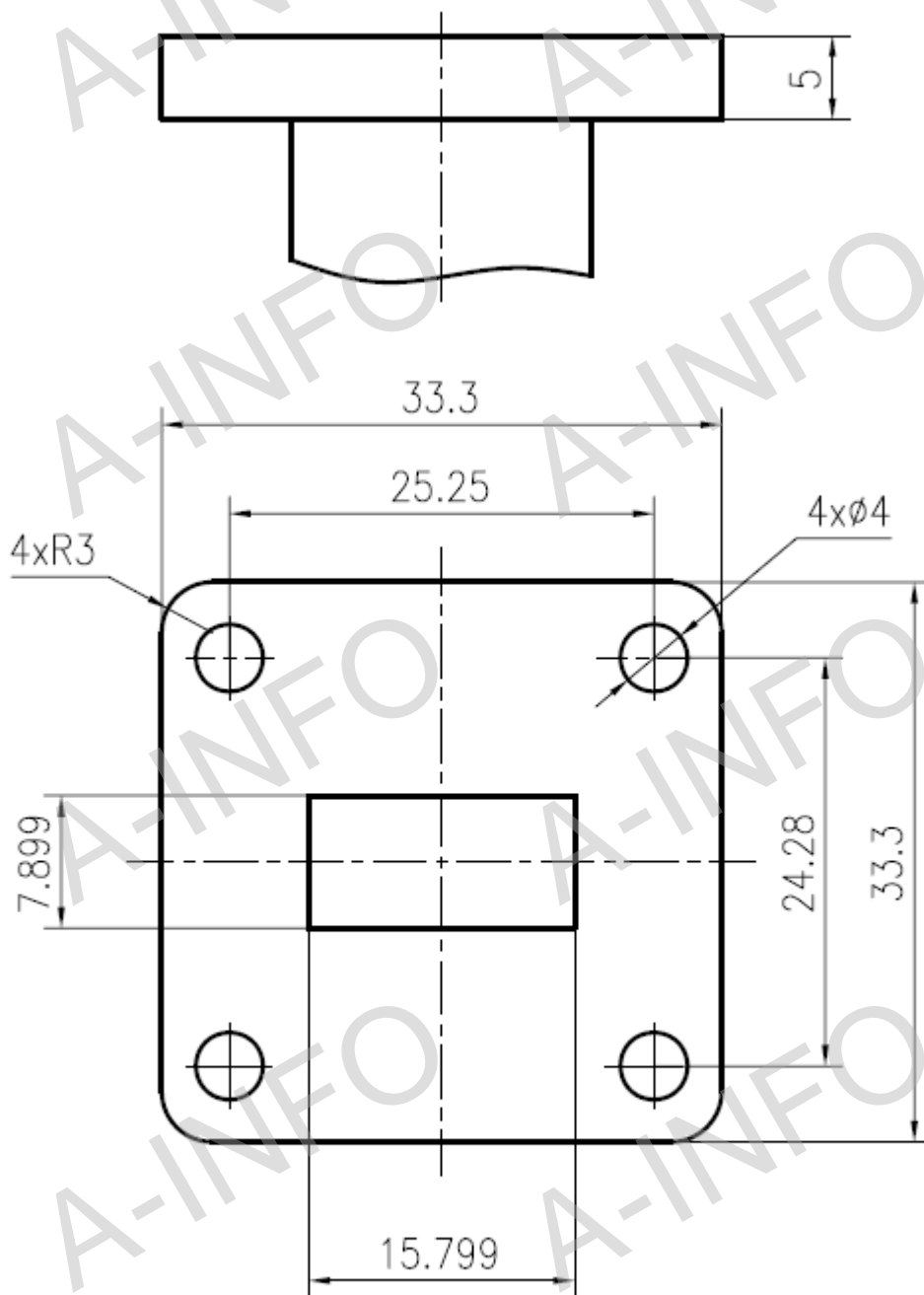


EIA WR	WR62
Frequency Range(GHz)	12.4 - 18.0
Attenuation(dB)	50
Attenuation Accuracy(dB)	±0.9 Max.
Attenuation Sensitivity(dB)	±0.7 Max.
VSWR	1.1:1 Max.
Average Power(W)	800 CW
Peak Power(KW)	200
Flange	FBP140(UBR140)
Material	Al
Size(mm)	401.32 x 94 x 64.1
Net Weight(Kg)	1.5 Around

Outline Drawing (Size: mm)



Flange Drawing (Size: mm)



FBP140

AINFO Inc.

Page 2 of 3

China(Beijing):
China(Chengdu):
USA :

Tel: (+86) 10-6266-7326,
Tel: (+86) 28-8519-2786,
Tel: (+1) 949-639-9688,

(+86) 10-6266-7327
(+86) 28-8519-3044
(+1) 949-639-9608

Fax: (+86) 10-6266-7379
Fax: (+86) 28-8519-3068
Fax: (+1) 949-639-9670

Website: www.ainfoinc.com
Email: sales@ainfoinc.com

Test Result

Attenuation & VSWR

CH1	S11	SWR	100 m / REF 1	5: 1.0593	12.400 000 000 GHz
CH2	S21	LOG	.3 dB / REF -50 dB	5: -50.044 dB	17.944 000 000 GHz
CH3	S21	LOG	.3 dB / REF -50 dB	5: -51.167 dB	14.164 000 000 GHz
CH4	S22	SWR	100 m / REF 1	5: 1.0390	12.400 000 000 GHz

