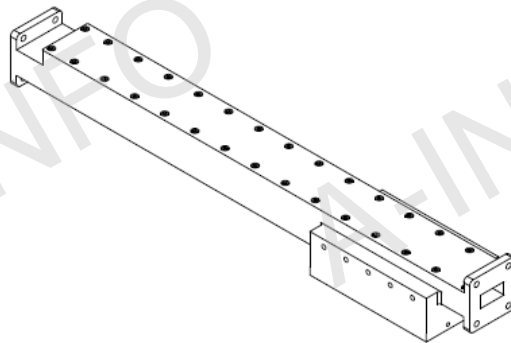
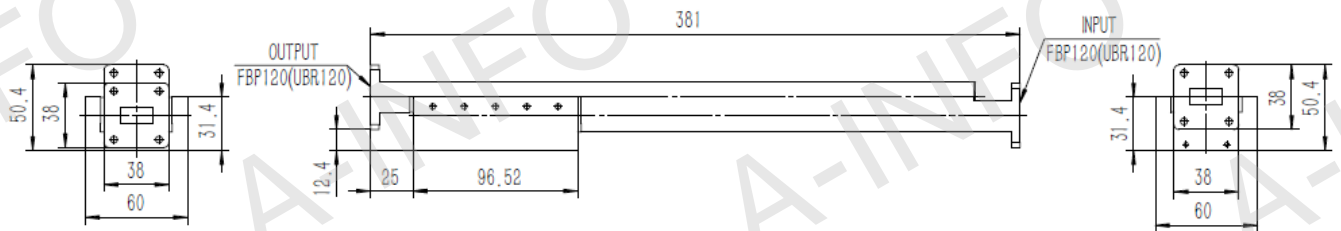


Technical Specification

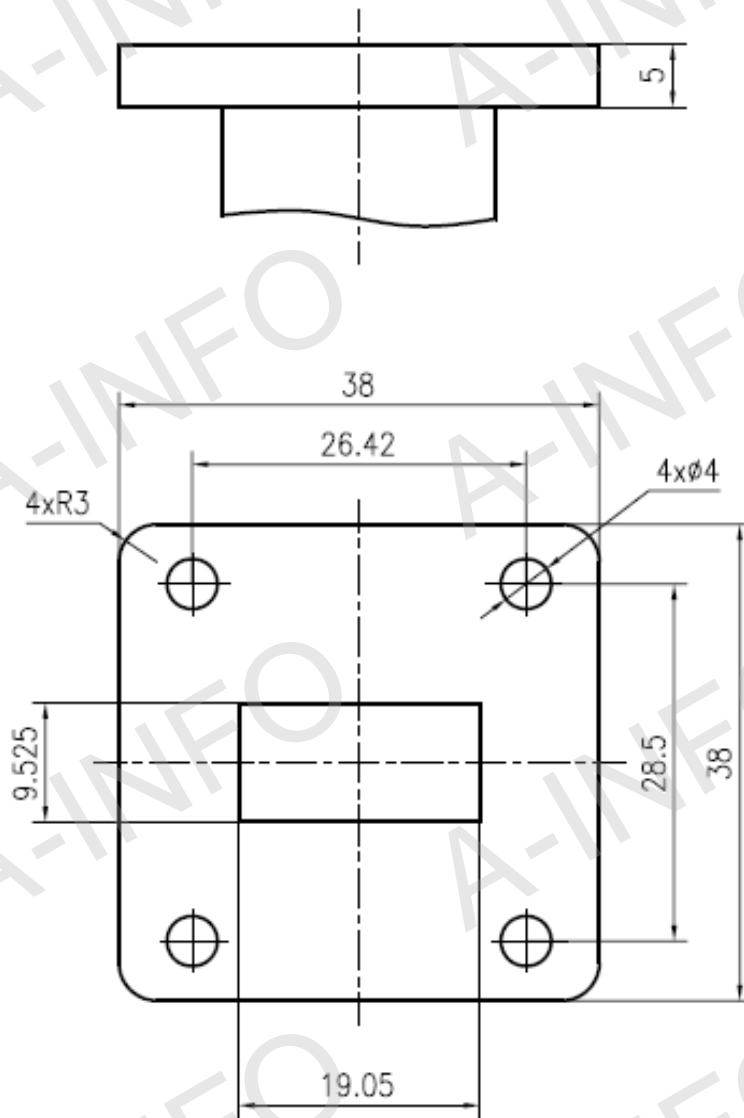


Frequency Range(GHz)	10.0-15.0
Waveguide	WR75
Attenuation(dB)	50
Attenuation Accuracy(dB)	±0.9 Max.
Attenuation Sensitivity(dB)	±0.7 Max.
VSWR	1.15 Max.
Average Power(W)	200 CW
Peak Power(KW)	200
Flange	FBP120(UBR120)
Material	Al
Net Weight(Kg)	1.06 Around

Outline Drawing (Size: mm)



Flange Drawing (Size: mm)



FBP120

Test Results

CH1	S11	SWR	150 m / REF 1	5: 1.0640	10.000 000 000 GHz
CH2	S21	LOG	.3 dB / REF -50 dB	5:- 50.721 dB	11.725 000 000 GHz
CH3	S21	LOG	.3 dB / REF -50 dB	5:- 49.771 dB	15.000 000 000 GHz
CH4	S22	SWR	150 m / REF 1	5: 1.0728	10.000 000 000 GHz

