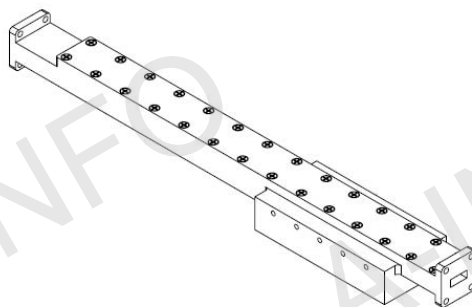
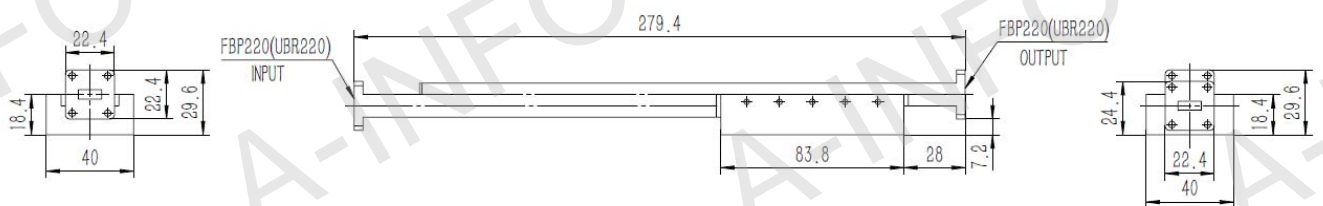


Technical Specification

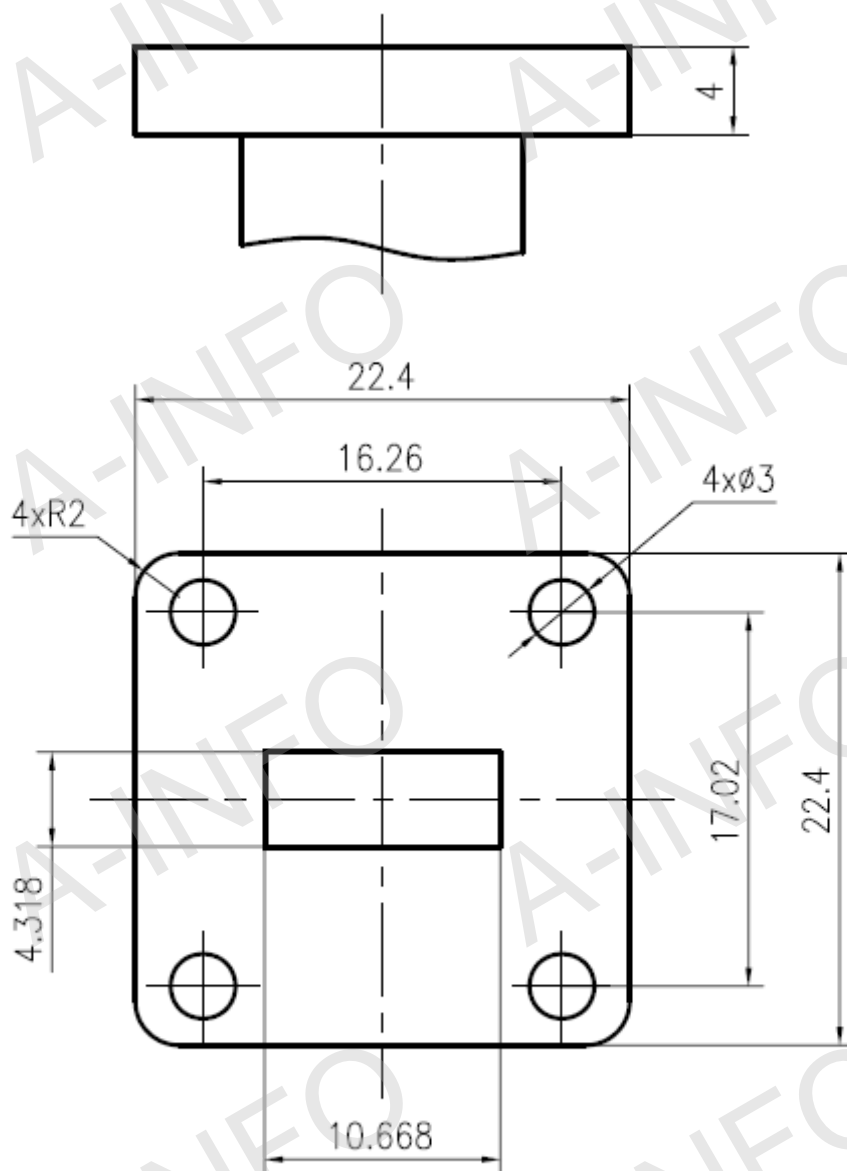


| | |
|-----------------------------|-------------------|
| EIA WR | WR42 |
| Frequency Range(GHz) | 18.0-26.5 |
| Attenuation(dB) | 20 |
| Attenuation Accuracy(dB) | ±1.0 Max. |
| Attenuation Sensitivity(dB) | ±0.9 Max. |
| VSWR | 1.2:1 Max. |
| Average Power(W) | 100 CW |
| Peak Power(KW) | 120 |
| Flange | FBP220(UBR220) |
| Material | Al |
| Size(mm) | 279.4 x 40 x 29.6 |
| Net Weight(Kg) | 0.3 Around |

Outline Drawing (Size: mm)



Flange Drawing (Size: mm)



FBP220

Test Result

Attenuation & VSWR

