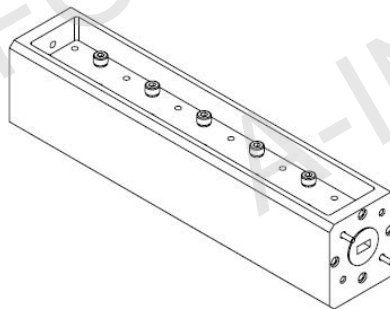
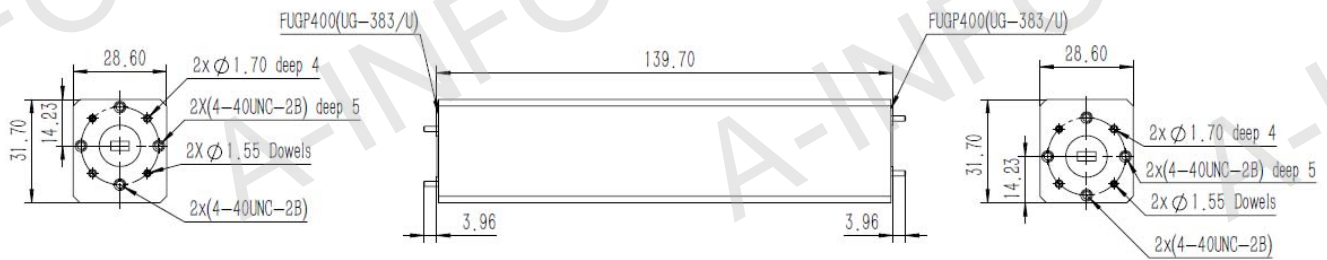


Technical Specification

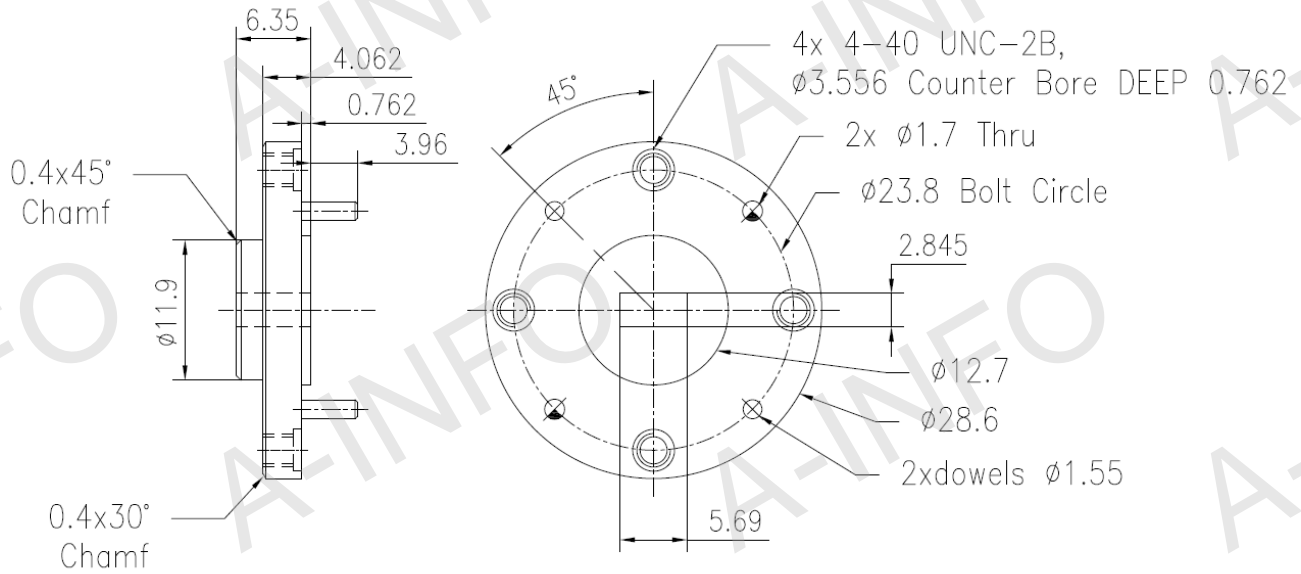


| | |
|-----------------------------|---------------------|
| EIA WR | WR22 |
| Frequency Range(GHz) | 33.0 - 50.0 |
| Attenuation(dB) | 20 |
| Attenuation Accuracy(dB) | ±1.3 Max. |
| Attenuation Sensitivity(dB) | ±0.9 Max. |
| VSWR | 1.15:1 Max. |
| Average Power(W) | 1 CW |
| Peak Power(KW) | 0.5 |
| Flange | FUGP400(UG-383/U) |
| Material | Cu |
| Size(mm) | 139.7 x 28.6 x 31.7 |
| Net Weight(Kg) | 0.62 Around |

Outline Drawing (Size: mm)



Flange Drawing (Size: mm)



FUGP400
(equivalent to UG-383/U)

Test Results

Attenuation & VSWR

