

Technical Specification

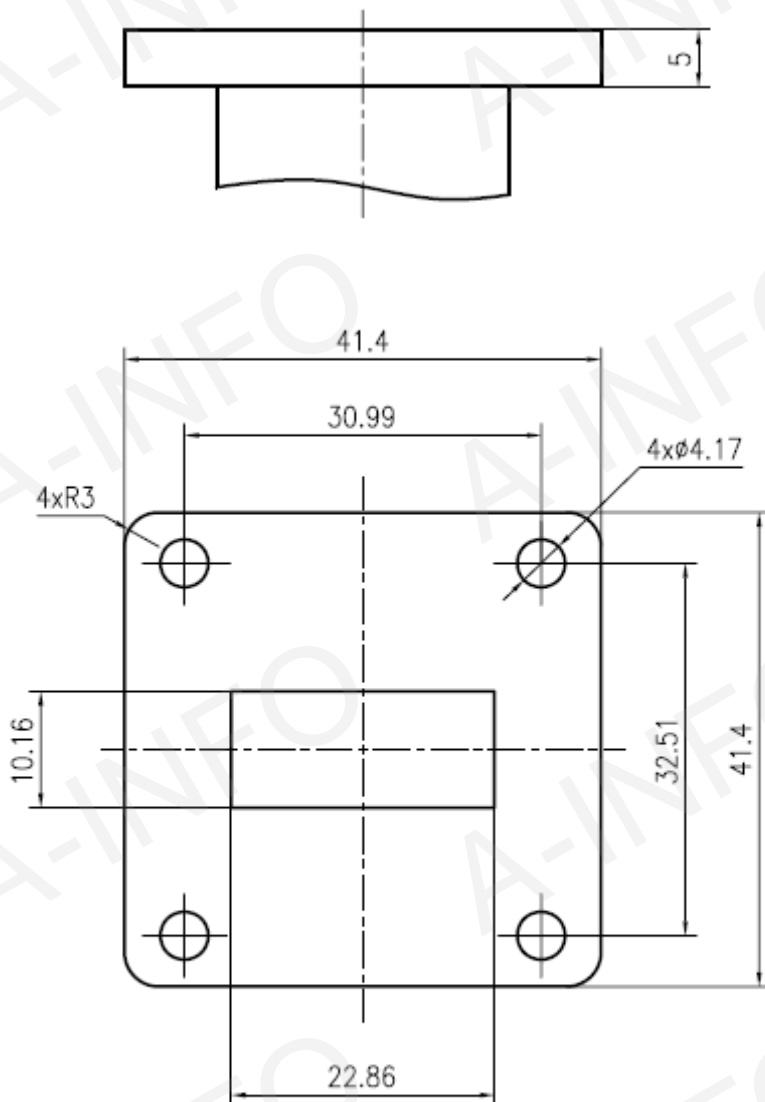


EIA WR	WR90
Frequency Range(GHz)	8.2-12.4
Attenuation(dB)	30
Accuracy(dB)	±2 Max
VSWR	1.25 Max
Flange	FBP100(UBR100)
Power Handling(W)	1 CW
Material	Al

Outline Drawing (Size: mm)



Flange Outline Drawing (Size: mm)



FBP100

Test Results

CH1 \$11 SWR 250 m / REF 1 5: 1.0702 8.200 000 000 GHz
 CH2 \$21 LOG 2 dB / REF -30 dB 5: -29.447 dB 12.400 000 000 GHz
 CH4 \$22 SWR 250 m / REF 1 5: 1.1139 8.200 000 000 GHz

