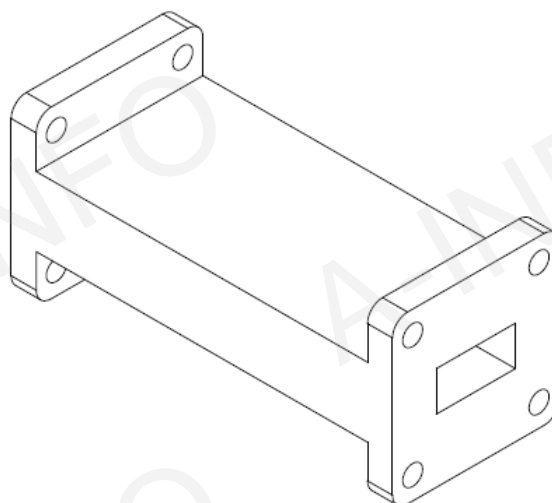
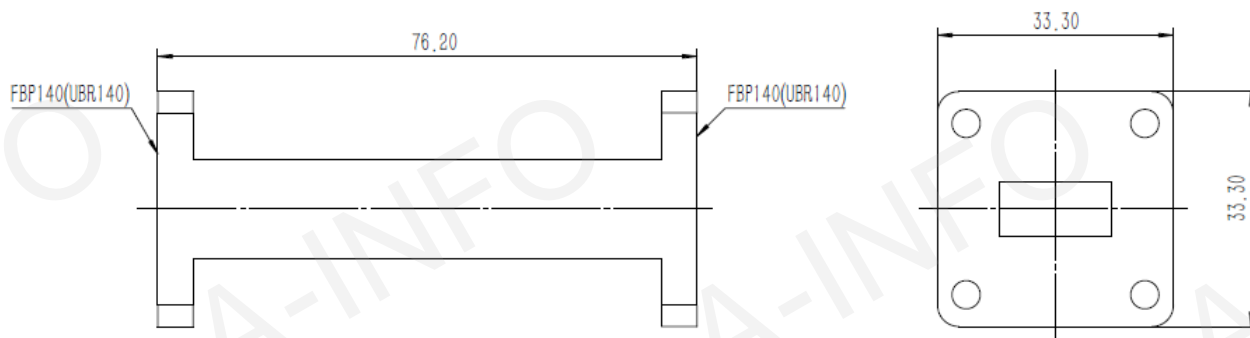


Technical Specification

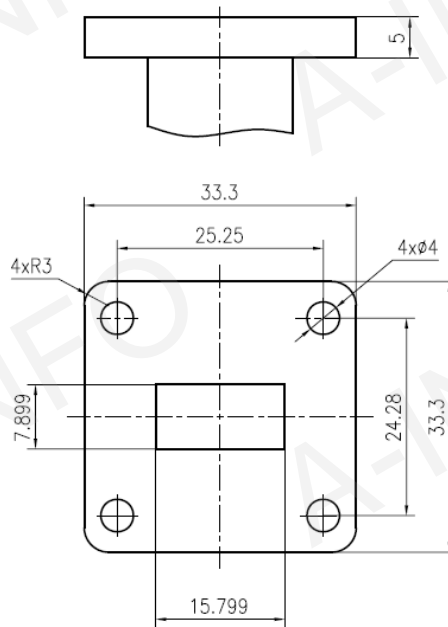


EIA WR	WR62
Frequency Range(GHz)	12.4-18.0
Attenuation(dB)	10
Accuracy(dB)	±1.5 Max.
VSWR	1.25 Max.
Flange	FBP140(UBR140)
Power Handling(W)	1
Material	Cu
Net Weight(Kg)	0.26 Around

Outline Drawing (Size: mm)



Flange Drawing (Size: mm)



FBP140

Test Results

