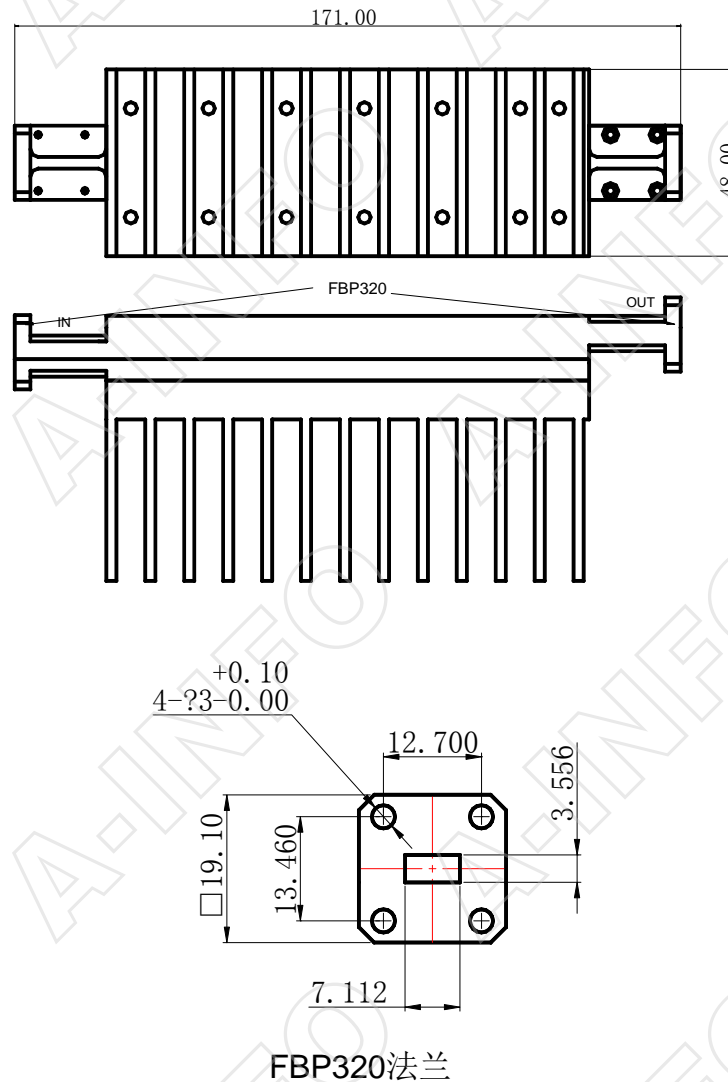


Technical Specification



Frequency Range	26.5 – 40.0GHz
Waveguide	WR28
Attenuation	30dB
Accuracy	±1.5dB max
VSWR	1.30 max
Flange	FBP320
Power	30W
Material	Al
Net Weight	0.3Kg Around

Outline Drawing (Size: mm)



Test Results

Attenuation and VSWR

