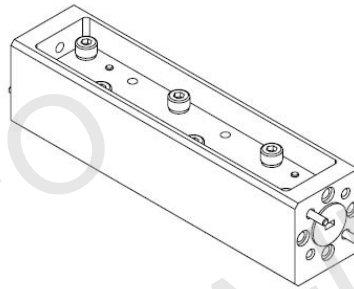
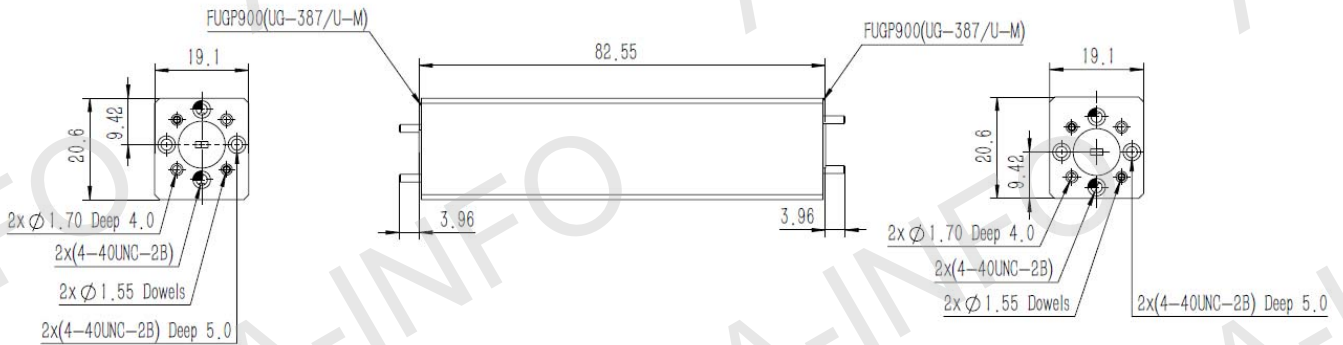


## Technical Specification

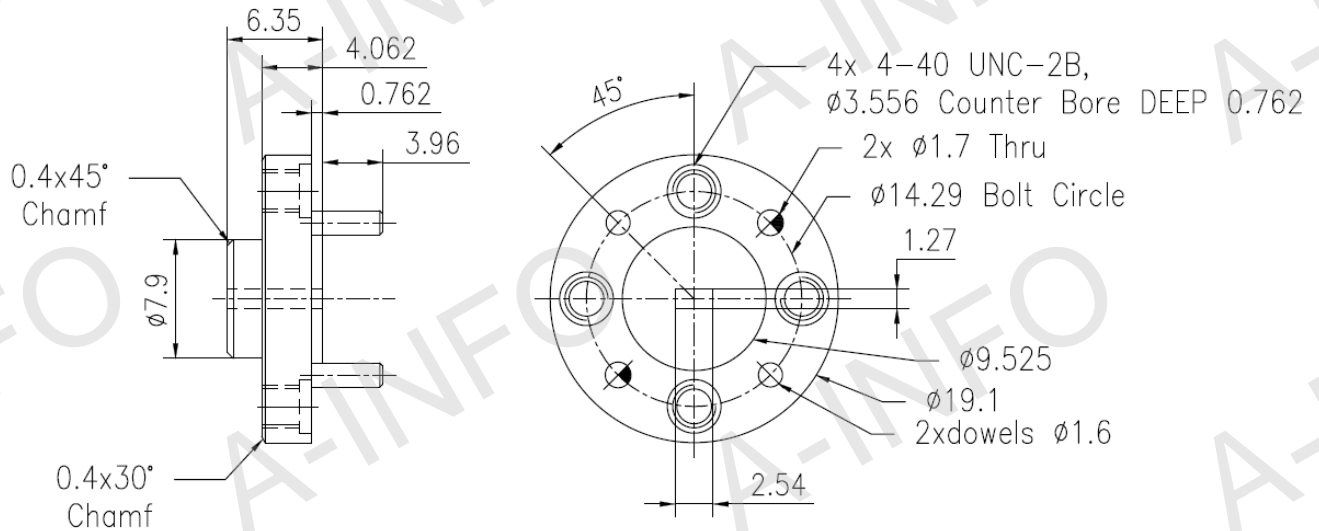


Waveguide	WR10
Frequency Range(GHz)	75.0-110.0
Attenuation(dB)	10
Attenuation Accuracy(dB)	±2 Max.
VSWR	1.25:1 Max.
Average Power(W)	1 CW
Flange	FUGP900(UG-387/U-M)
Material	Cu
Size(mm)	82.55 x 19.1 x 20.6
Net Weight(Kg)	0.14 Around

## Outline Drawing (Size: mm)



## Flange Drawing (Size: mm)



FUGP900  
(equivalent to UG-387/U-M)

## Test Results

Trc1 S11 SWR 250 mU/ Ref 1 U Cal Trc2 S21 dB Mag 2 dB / Ref -10 dB Cal 1 (Max)  
Trc3 S21 dB Mag 2 dB / Ref -10 dB Cal Trc4 S22 SWR 250 mU/ Ref 1 U Cal

