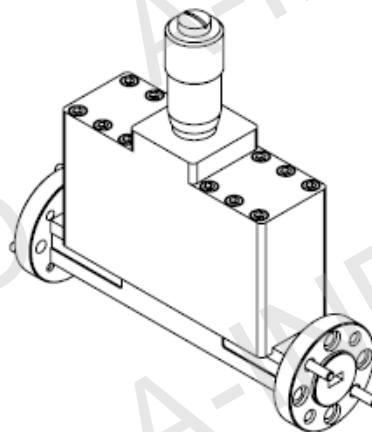
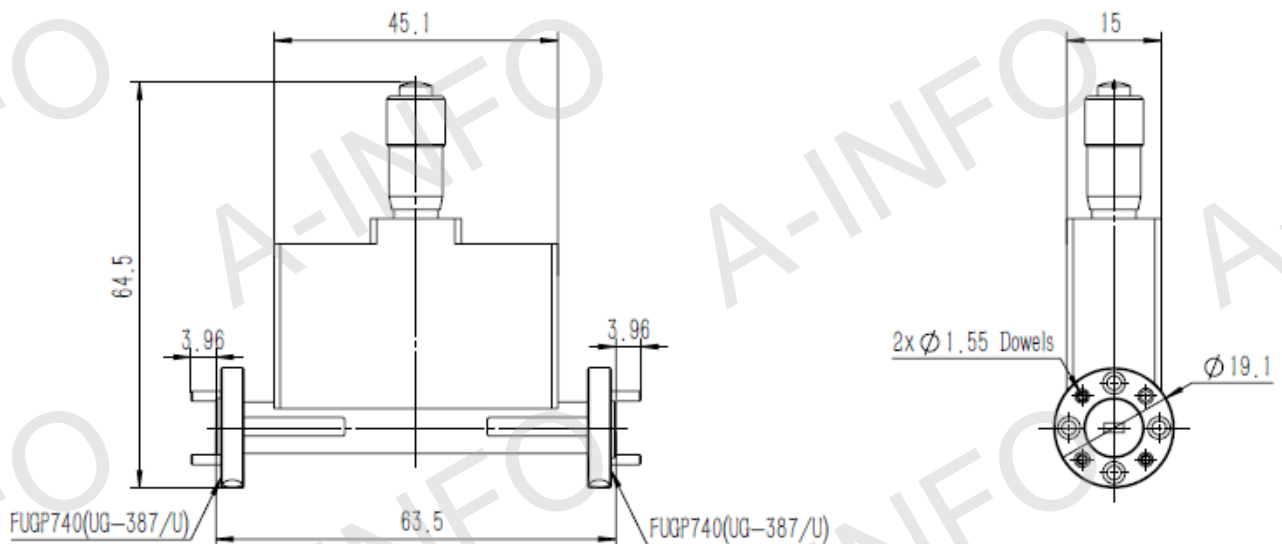


Technical Specification

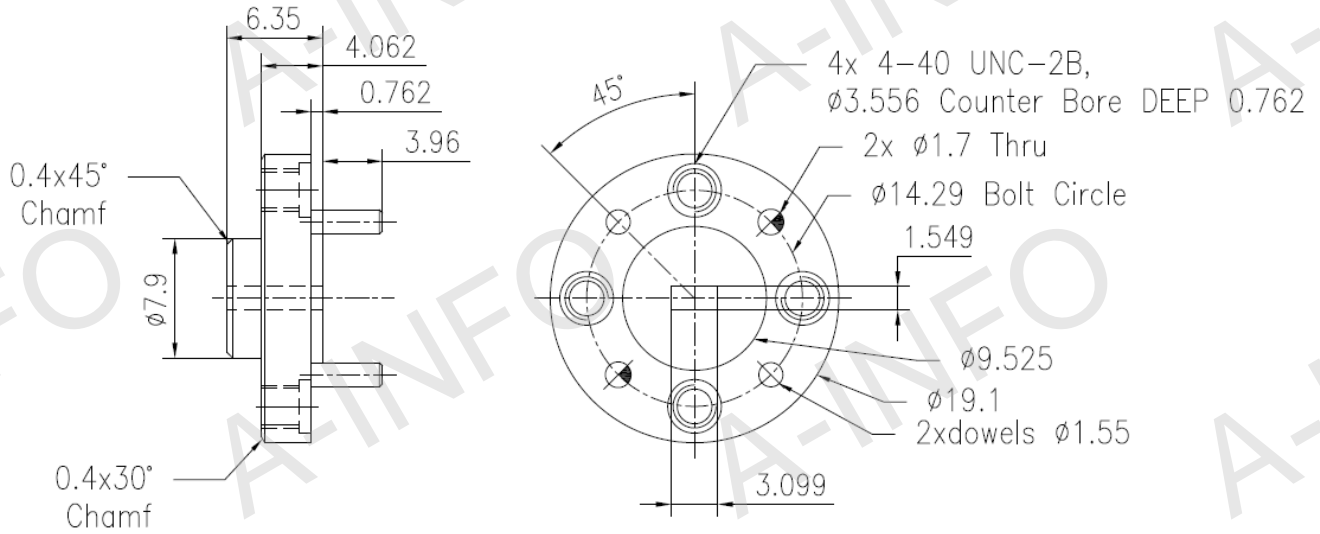


EIA WR	WR12
Frequency Range(GHz)	60.0 - 90.0
Attenuation(dB)	0 - 20
Insertion Loss(dB)	0.5 Max.
VSWR	1.5:1 Max.
Average Power(W)	0.5 CW
Flange	FUGP740(UG-387/U)
Material	Cu
Size(mm)	63.5 x 19.1 x 64.5
Net Weight(Kg)	0.15 Around

Outline Drawing (Size: mm)



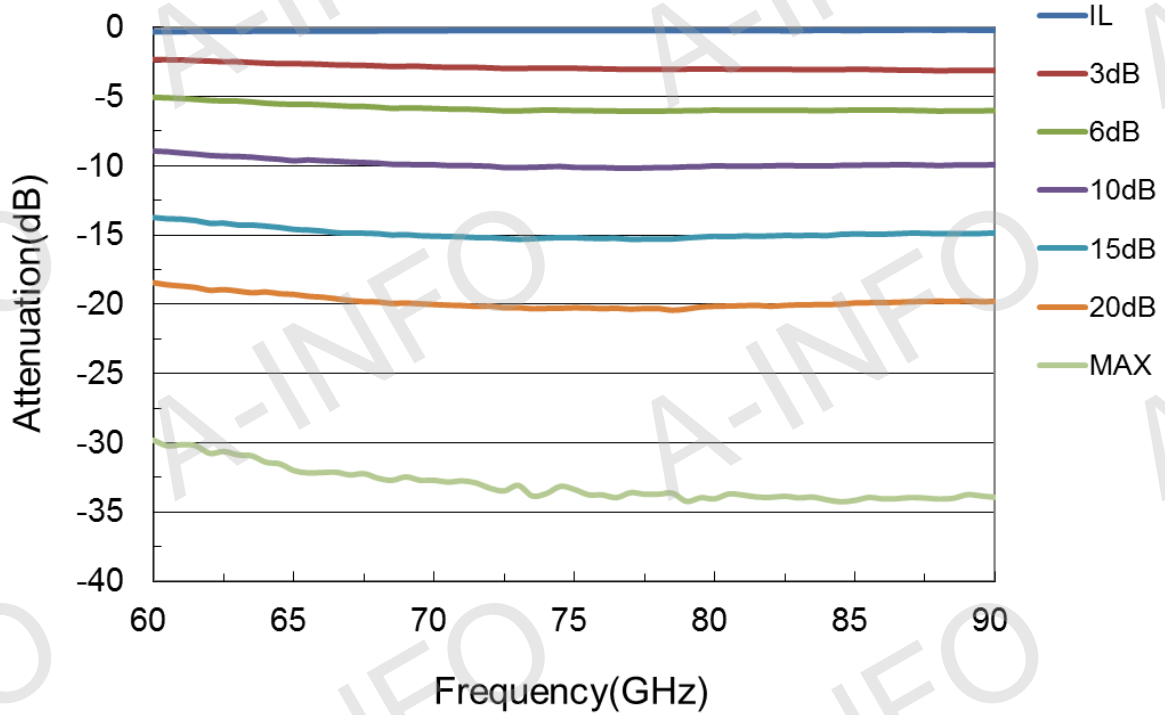
Flange Drawing (Size: mm)



FUGP740
(equivalent to UG-387/U)

Test Results

Attenuation & I.L.



VSWR

