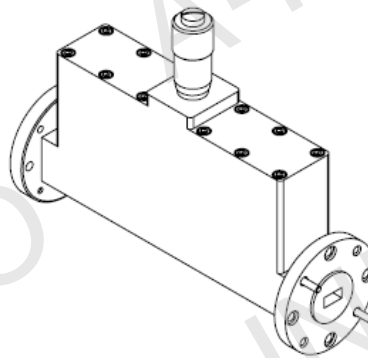
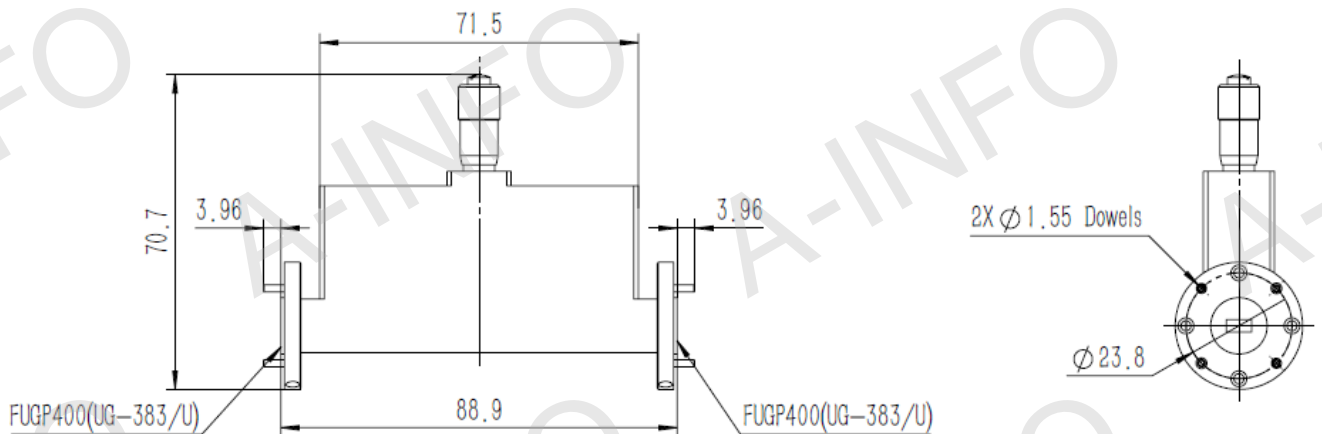


## Technical Specification

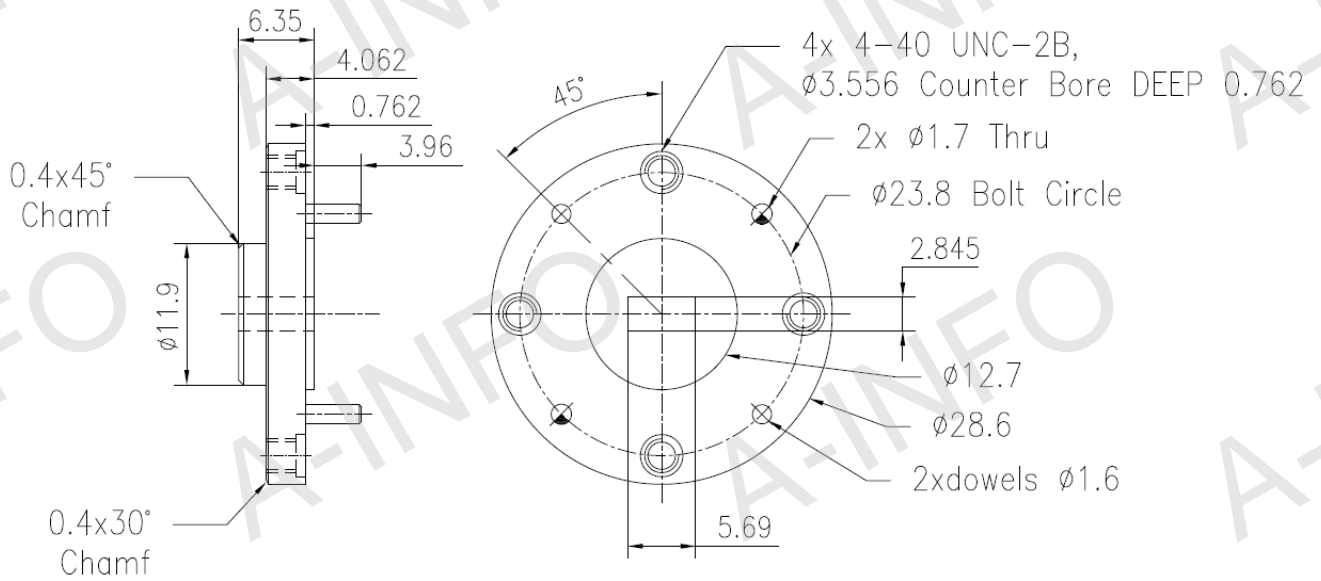


EIA WR	WR22
Frequency Range(GHz)	33.0-50.0
Attenuation(dB)	0-30
Insertion Loss(dB)	0.3 Max.
VSWR	1.2:1 Max.
Average Power(W)	1 CW
Flange	FUGP400(UG-383/U)
Material	Cu
Size(mm)	88.9 x 23.8 x 70.7
Net Weight(Kg)	0.35 Around

## Outline Drawing (Size: mm)



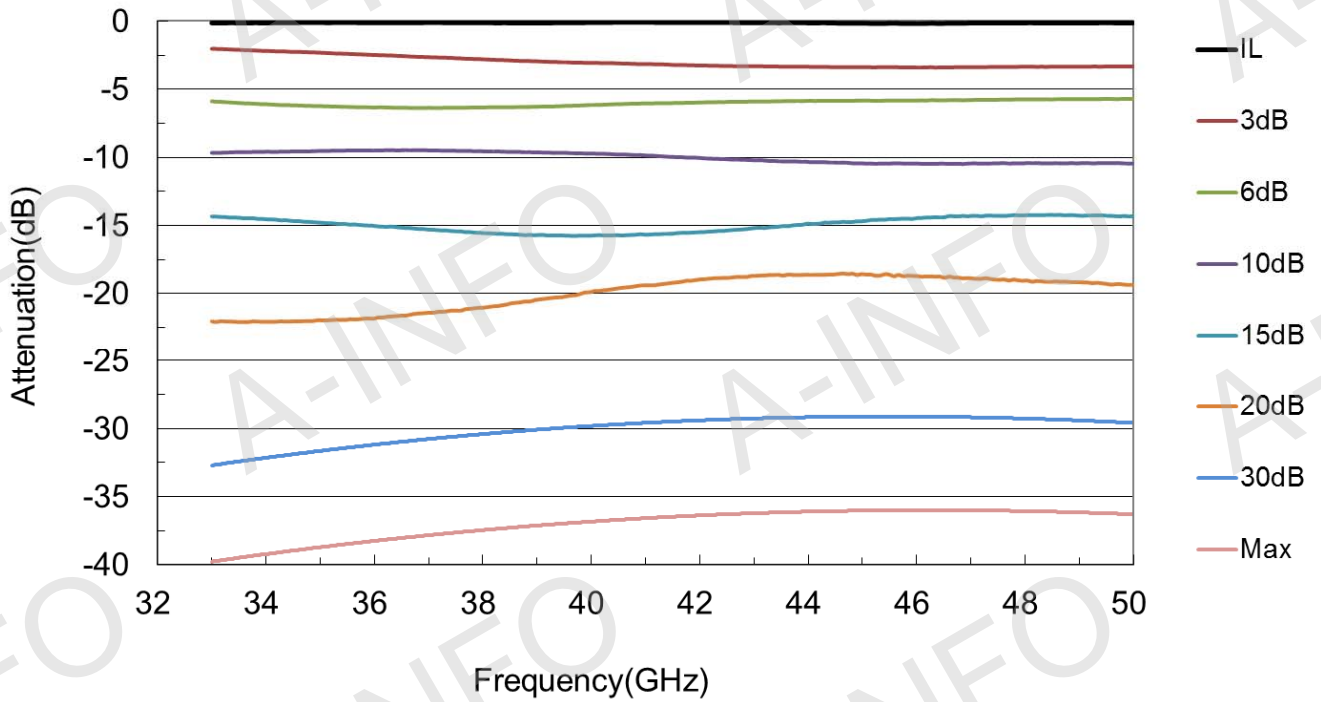
## Flange Drawing (Size: mm)



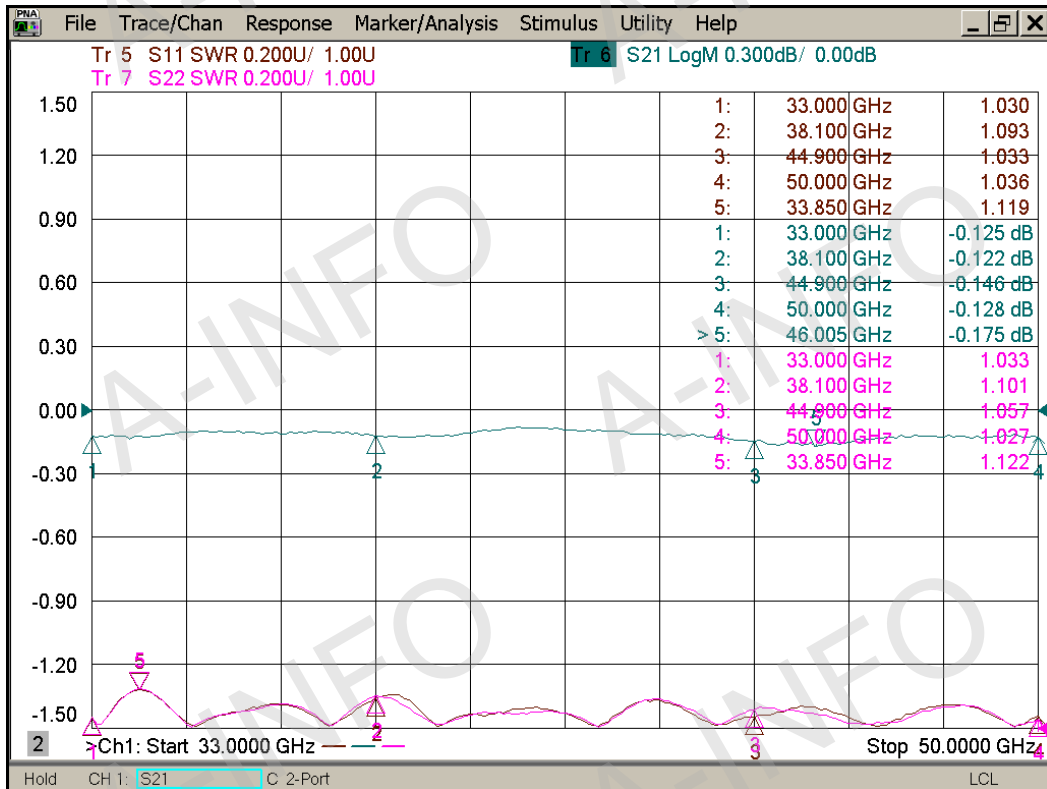
FUGP400  
(equivalent to UG-383/U)

## Test Results

Attenuation



I.L. & VSWR



AINFO Inc.

Page 3 of 3

China(Beijing):  
China(Chengdu):  
USA :

Tel: (+86) 10-6266-7326,  
Tel: (+86) 28-8519-2786,  
Tel: (+1) 949-639-9688,

(+86) 10-6266-7327  
(+86) 28-8519-3044  
(+1) 949-639-9608

Fax: (+86) 10-6266-7379  
Fax: (+86) 28-8519-3068  
Fax: (+1) 949-639-9670

Website: www.ainfoinc.com  
Email: sales@ainfoinc.com